

# Maxi-Sweep

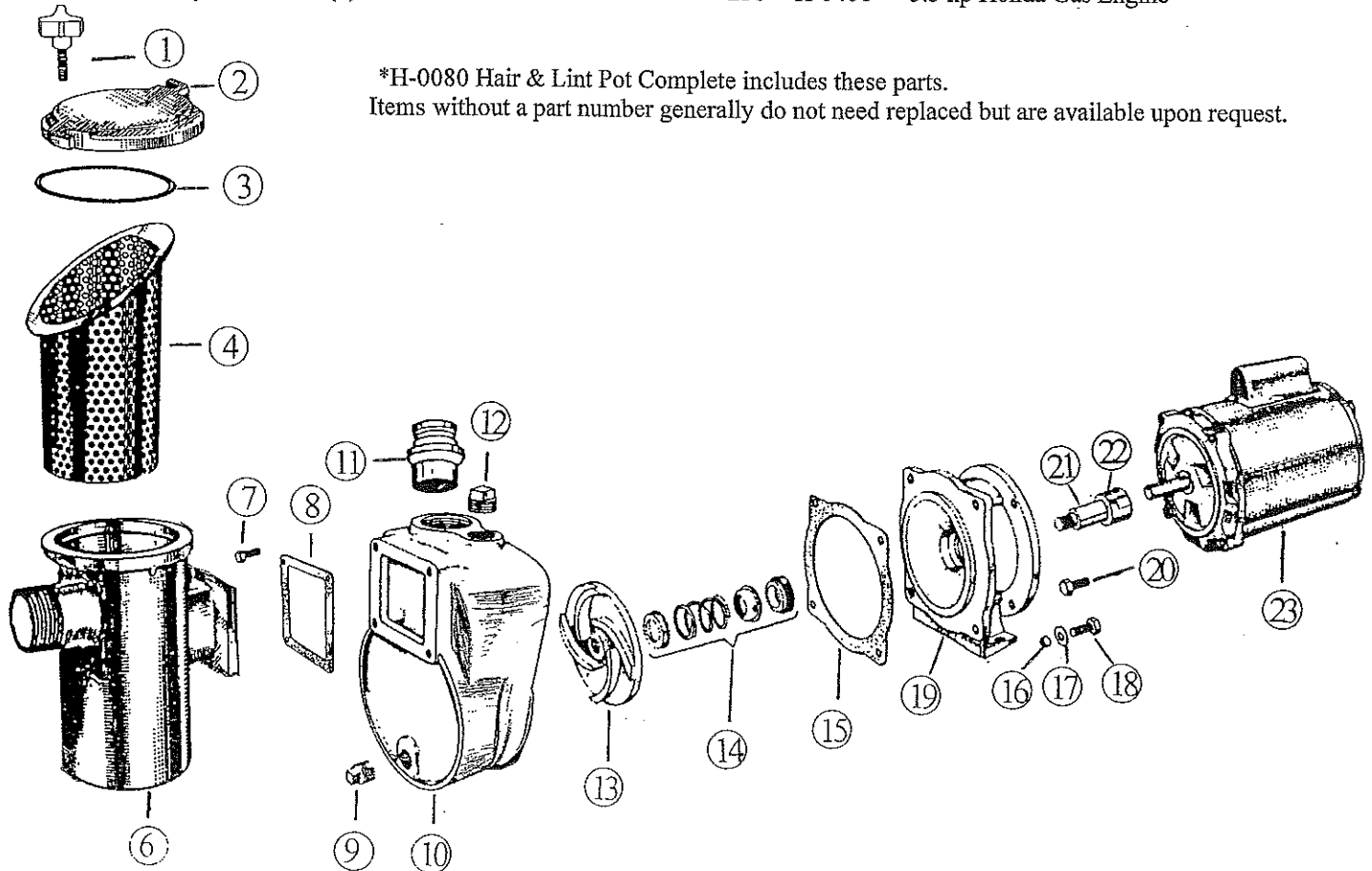
POOL & FOUNTAIN PORTABLE VACUUM SYSTEMS®

Maxi-Sweep, Inc.

2297 Tall Grass Road, Unit D • Grand Junction, CO 81505 • (970) 858-7266 • Fax (970)858-7404  
 www.maxisweep.com • sales@maxisweep.com

## PUMP / HAIR & LINT POT SCHEMATIC

- |       |        |  |       |   |
|-------|--------|--|-------|---|
| * 1.  | H-0085 | Hair & Lint Pot Knob                                   | **17. | Copper Washer (4)                                 |
| * 2.  | H-0084 | Hair & Lint Pot Lid                                    | **18. | Hex Head Bolt (4)<br>(Bracket to Pump Housing)    |
| * 3.  | H-0081 | Hair & Lint Pot 8" O Ring                              | **19a | P-0046 Electric Bracket                           |
| * 4.  | H-0082 | Hair & Lint Pot Strainer Basket                        | **19b | P-0047 Gas Bracket                                |
| * 6.  |        | Hair & Lint Pot  | **20. | Hex Head Bolt (4)<br>(Bracket to Engine or Motor) |
| * 7.  |        | Hex Head Bolt (4)<br>(Hair & Lint Pot to Pump Housing) | **21a | E-0026 2 hp Electric Shaft Extension              |
| **    |        |  | **21b | B-0026 3.5 hp Briggs & Stratton Shaft Extension   |
| 8.    | P-0049 | Flapper Gasket   | **21c | H-0402 5.5 hp Honda Shaft Extension               |
| ** 9. |        | Pump Drain Plug  | **21d | K-0036 4 hp Kohler Shaft Extension                |
| **10. | P-0048 | Pump Housing (No longer available)                     | **22. | Set Screw (2)<br>(Included with Shaft Extension)  |
| **11. | P-0054 | 2" Insert Adapter                                      | 23a   | E-0010 2 hp Electric Motor (110V/30A or 220V/20A) |
| **12. |        | Pump Filler Plug                                       | 23b   | E-0011 2 hp Electric Motor (208V/20A)             |
| **13a | P-0044 | Electric Impeller                                      | 23c   | E-0011A 2 hp Electric Motor (50 Hertz)            |
| **13b | P-0043 | Gas Impeller (No longer available)                     | 23d   | B-0020 3.5 hp Briggs & Stratton Gas Engine        |
| **14. | P-0041 | Pump Seal Assembly<br>(Includes #16 and #17)           | 23e   | H-0401 5.5 hp Honda Gas Engine                    |
| **15. | P-0042 | Pump Gasket  |       |   |
| **16. |        | Nylon Washer (4)                                       |       |   |



\*H-0080 Hair & Lint Pot Complete includes these parts.

Items without a part number generally do not need replaced but are available upon request.