

# Maxi-Sweep

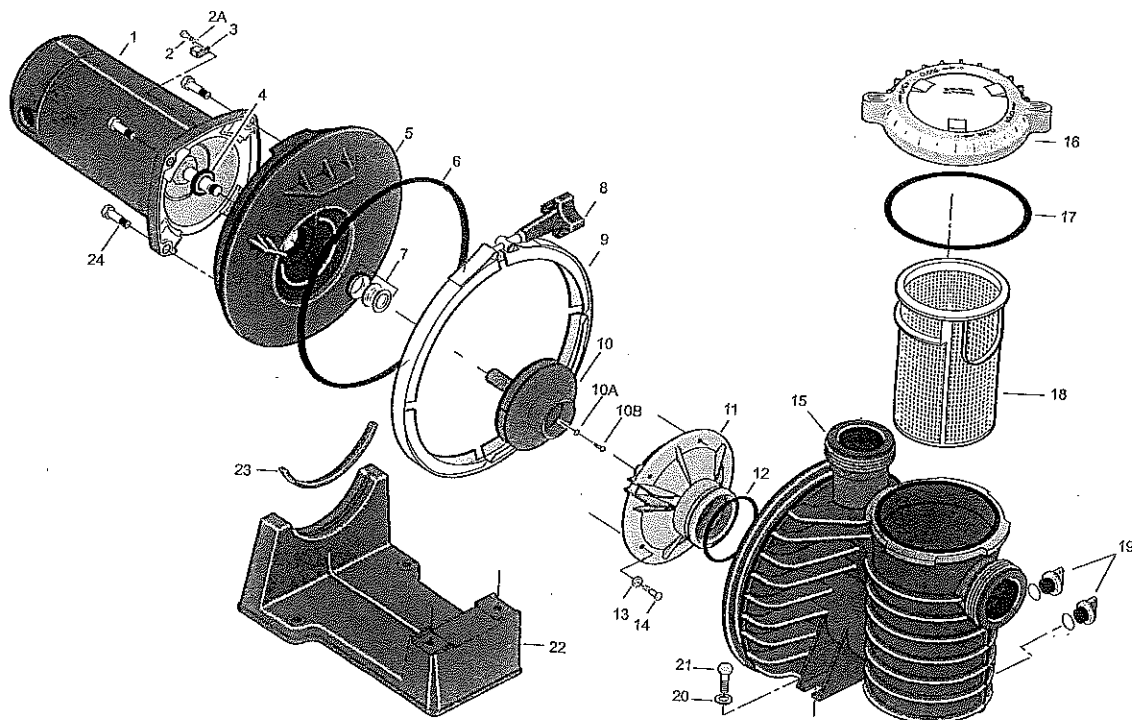
POOL & FOUNTAIN PORTABLE VACUUM SYSTEMS®

Maxi-Sweep, Inc.

2297 Tall Grass Road, Unit D • Grand Junction, CO 81505 • (970) 858-7266 • Fax (970)858-7404

www.maxisweep.com • sales@maxisweep.com

## LITTLE ELECTRIC PUMP AND MOTOR SCHEMATIC



(LE-013 1 hp Little Electric Combo Assembly Shown)

- |      |        |                       |     |        |                          |
|------|--------|-----------------------|-----|--------|--------------------------|
| 1.   | LE-012 | Motor                 | 12. | LE-111 | Diffuser O-Ring          |
| 2.   | LE-100 | Motor Screw           | 13. | LE-123 | Diffuser Lock Washer (5) |
| 2a.  | LE-126 | Lock Washer           | 14. | LE-122 | Diffuser Screw (5)       |
| 3.   | LE-101 | Bonding Lug           | 15. | LE-114 | Tank Body Assembly       |
| 4.   | LE-102 | Water Slinger         | 16. | LE-115 | Trap Cover Assembly      |
| 5.   | LE-103 | Seal Plate Kit        | 17. | LE-116 | Trap "O" Ring            |
| 6.   | LE-105 | Seal Plate O-Ring     | 18. | LE-125 | Trap Basket              |
| 7.   | LE-108 | Shaft Seal            | 19. | LE-117 | Drain Plug (2)           |
| 8.   | LE-113 | Clamp Knob            | 20. | LE-119 | Base Washer (2)          |
| 9.   | LE-112 | Clamp                 | 21. | LE-120 | Base Screw (2)           |
| 10.  | LE-109 | Impeller              | 22. | LE-118 | Base with Motor Pad      |
| 10a. | LE-127 | Impeller Screw O-Ring | 23. | LE-121 | Motor Pad                |
| 10b. | LE-128 | Impeller Screw        | 24. | LE-124 | Hex Head Screw (4)       |
| 11.  | LE-110 | Diffuser              |     |        |                          |